

PDX - White

Channel Letter Lighting | 5" - 10" Channel Letter Depth

PRELIMINARY

Project	Type
Catalog Number	

Rev # 06/01/17-2

Description

Pushing the boundaries of back lighting channel letters, PDX1 offers the latest in LED sign technology. PDX1 illuminates the face of a sign with a stroke as wide as 12 inches in a 5 inch deep can using only 2 modules per foot. The modules is encapsulated with a durable over mold resin and wide-beam optic, providing IP ingress protection.



Features

- White LED module in various CCT levels
- Module runs off 12VDC, Class 2 power source
- 160° beam angle
- IP66 rated for protection from dust and moisture
- Lights a stroke of up to 12 inches in a 5 inch deep can
- Only 2 modules per foot
- Light levels are kept constant with a constant current regulator
- 5-year warranty



Certifications

- UL Recognized (E226833)



Energy Data	6500K	5000K	4000K	3000K
Input Voltage (V DC)	12	12	12	12
Module Level Power (W/ft.)	2.1	2.1	2.1	2.1
Delivered Lumens (Lm/ft.)	180	170	170	160
Efficacy (L/W)	86	81	81	76
Viewing Angle (°)	160	160	160	160
Color Temperature (K)	6500	5000	4000	3000
Color Rendering Index (CRI)	70	80	80	80
L70 Calculated Life (Hrs.)*	78,000	78,000	78,000	78,000
Ingress Protection	66	66	66	66

* US LED product 'Lifetimes' refer only to the LED light engine, not the power source, and are based on the Illuminating Engineering Society's TM21 Calculated Lumen Maintenance methodology at a 25°C/77°F ambient temperature. The lifetimes are solely meant to be a guide for expected LED degradation and not a warranty or predictive of their actual life, which can be affected by ambient temperatures and other factors.

Ordering Information

Series	Variant	Input Voltage	Color
PDX1	2	12 - 12V	65 - 6500K 50 - 5000K 40 - 4000K 30 - 3000K

Maximum stroke

5" Deep Can	12" Stroke
8" Deep Can	18" Stroke
10" Deep Can	24" Stroke

Power Supply Loading Specs

Series	Min # of Modules	Max # of Modules	Part Number
12V-60W Load	12	50	PSA-12-60
12V-12W Load	2	10	PSA-12-12

Distributed by:



Piedmont Plastics[®]
where solutions take shape

Toll Free: 1.800.277.7898

www.piedmontplastics.com

PDX - White

Channel Letter Lighting | 5" - 10" Channel Letter Depth

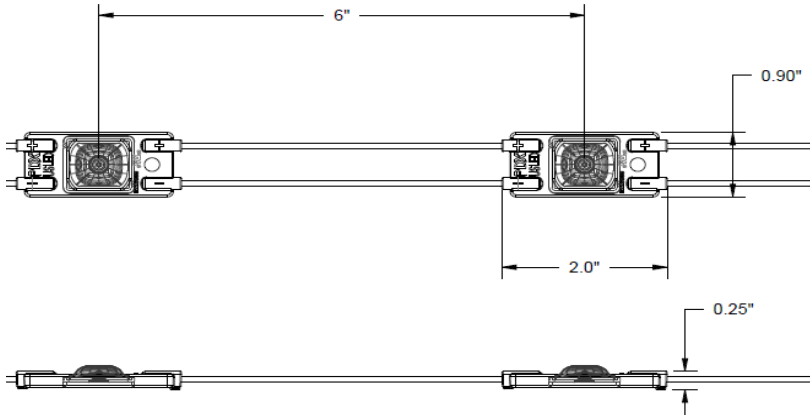
PRELIMINARY

Project	Type
Catalog Number	

Rev #	06/01/17-2
-------	------------

Specifications

Dimensions: 2.0" x 0.9" x 0.35"



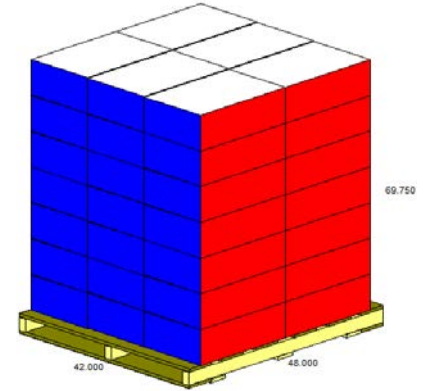
Packaging Information

Master Case	720 Modules - 360 Feet
Inner Case	240 Modules - 120 Feet
Tray	80 Modules - 40 Feet

Pallet	42 Master Cases
---------------	-----------------

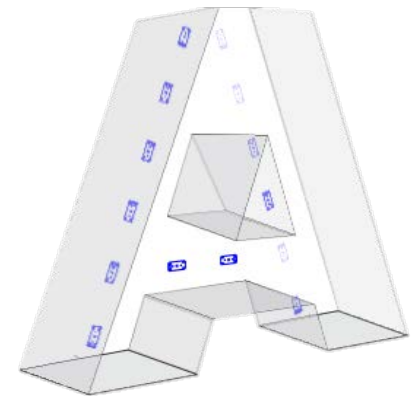
42" x 48" x 69.75"

42 Master Cases
30,240 Modules
15,120 Feet



Don't forget our complimentary signage layouts.

We pride ourselves on quality service. Our signage layout team is no exception. In the fast-paced industry of signage, we offer a free layout service with a quick turnaround. Our specialty is providing you with a cost effective layout using our wide variety of signage products. To request a signage layout please email to estimate@usled.com. We accept artwork in the following formats: JPG, GIF, BMP, PDF, EPS, DXF, DWG, CDR, and AI.



Red, Blue, Green & Orange

PDX

Distributed by:



Toll Free: 1.800.277.7898

www.piedmontplastics.com