



Light up your brand  
**SunsignLED**

## Standard Family members



Standard L-UTX378U

- 1.2W per module
- 110lm per module
- 160° PC lens
- L70B50>35,000hrs



Standard M-UTX377U

- 0.9W per module
- 80lm per module
- 160° PC lens
- L70B50>35,000hrs



Standard S-UTX376U

- 0.6W per module
- 50lm per module
- 160° PC lens
- L70B50>35,000hrs

Distributed by:



**Piedmont Plastics**<sup>®</sup>

where solutions take shape

Toll Free: 1.800.277.7898

[www.piedmontplastics.com](http://www.piedmontplastics.com)

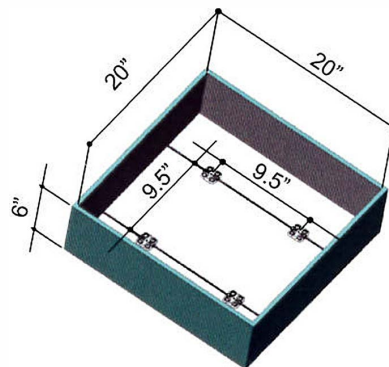


Light up your brand

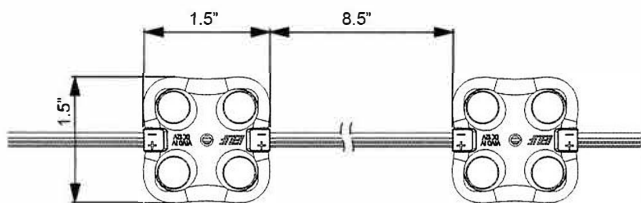
**SunsignLED**

Standard L-UTX378U

Best for over 5" depth  
large size light box & channel letter lighting



Units: inches



### Created for

- 5" x 9" thickness large size lightbox & channel letter
- ST624300 channel letter

### Typical application

- T0 6" x 40" x 40" single side light box, 16pcs modules, surface brightness around 429units(1350lux).

### What's special

- 160° bat-wing optics design
- High efficiency LED
- Excellent color uniformity, 3-step MacAdam ellipse each bin

### Main parameters

- 1.2W per module
- 110lm per module
- 160° PC lens
- L70B50>35,000hrs

Distributed by:



**Piedmont Plastics**<sup>®</sup>

where solutions take shape

Toll Free: 1.800.277.7898

[www.piedmontplastics.com](http://www.piedmontplastics.com)

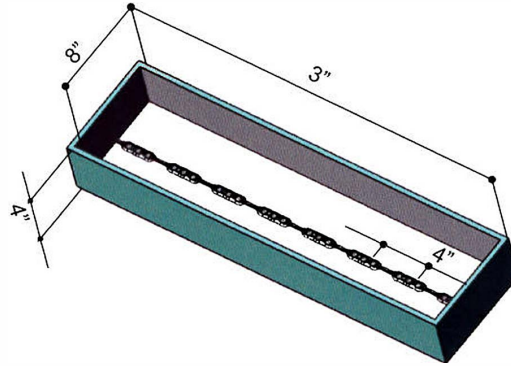


Light up your brand

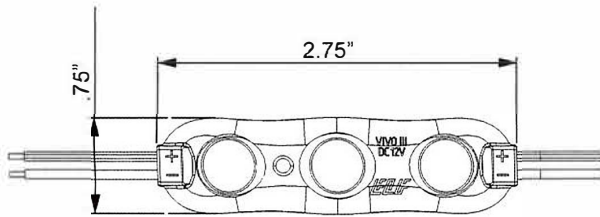
**SunsignLED**

Standard M-UTX377U

Best for over 3.5" depth  
medium size light box & channel letter back lighting



Units: inches



### Created for

- 2.5" x 7" thickness medium size lightbox & channel letter.
- Super bright medium channel letter

### What's special

- 160° bat-wing optics design
- High efficiency LED
- Excellent color uniformity, 3-step MacAdam ellipse each bin

### Typical application

- T0 5" x 5" x 8" single side letter, 8pcs modules, surface brightness around 828nits(2600lux).

### Main parameters

- 0.9W per module
- 80lm per module
- 160° PC lens
- L70B50>35,000hrs

Distributed by:



**Piedmont Plastics®**

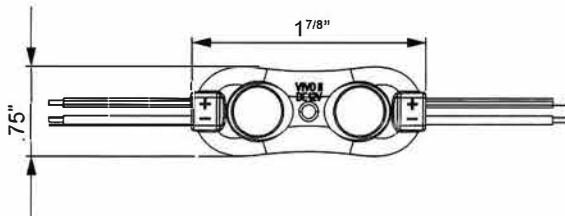
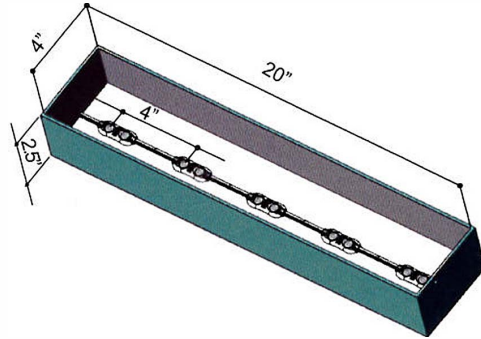
where solutions take shape

Toll Free: 1.800.277.7898

[www.piedmontplastics.com](http://www.piedmontplastics.com)



Best for over 2" to 4" depth  
small size light box & channel letter back lighting



Units: inches

### Created for

- 2.5"x5" thickness small size lightbox & channel letter.
- Super bright small channel letter

### Typical application

- T0 2.5" x 2.5" x 6" single side letter, 5pcs modules, surface brightness around 1273units(4000lux).

### What's special

- 160° bat-wing optics design
- High efficiency LED
- Excellent color uniformity, 3-step MacAdam ellipse each bin

### Main parameters

- 0.6W per module
- 50lm per module
- 160° PC lens
- L70B50>35,000hrs

Distributed by:



**Piedmont Plastics**<sup>®</sup>

where solutions take shape

Toll Free: 1.800.277.7898

[www.piedmontplastics.com](http://www.piedmontplastics.com)