

POLYGAL[®]

BRINGS NATURE IN

Triple-Clip





Triple-Clip 5/8" 16mm

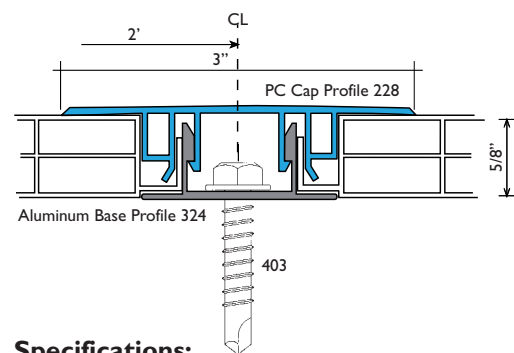
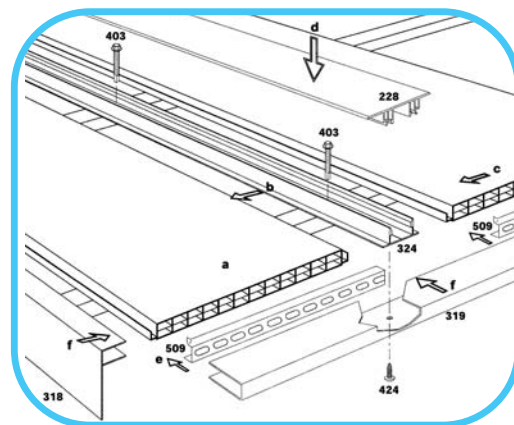
Panel Glazing System

- Large, flat roofing surfaces.
- Easy assembly using concealed screws.
- Free thermal expansion by sliding-in-profile configuration.
- Especially recommended for roofing, vertical walls and D.I.Y.

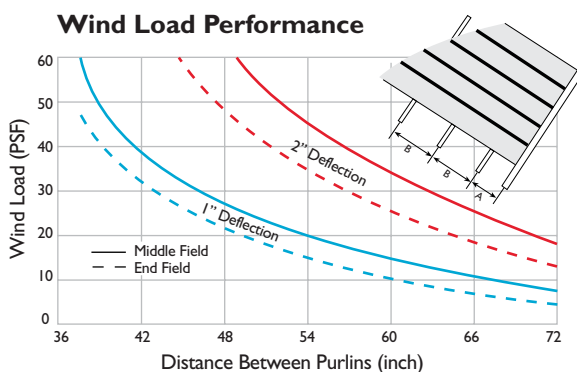
Installation

After installation of the purlin structure, with distance between purlins according to the load graph, it is recommended to fasten the panel system by the following steps:

- Place the first panel (in some cases cut to size) on the purlin structure.
- Place an aluminum base profile **324** adjacent to the panel and fasten it with screws **403** to the purlins. If a length of more than 20' is needed, fasten the ends of the profile to the center of the purlin closest to the end of the first profile.
- Place the next panel adjacent to the remaining open side of the base profile **324**.
- Fasten the PC cap profile **228** to the base profile (over the two panels) using hand pressure or a wooden block and a rubber mallet. Advance in small steps to ensure complete interlocking.
- It is recommended to wrap the panel end with anti-dust Aluminum tape **509**.
- Fasten a side "F" profile **318** and "U" profile **319**, according to the sketch on the right.



Wind Load Performance



Ordering information

Triple-Clip system is provided as a solution for covering roof and wall areas. To order components, first divide the roof area into length-wise strips with a width of 2 feet. Screws should be ordered according to purlin space calculation.

- Polycarbonate Cap Profile **228** • Polygal Triple-Clip Panel
- Aluminum Base Profile **324** • Screw #12-1 Polygal **403**

Specifications:

| | | |
|---------------------------------|---|-------------|
| Color Availability | Clear; Bronze, Ice | |
| Weight | Sheet Only 0.55 lb/ft ² With Profiles 0.69 lb/ft ² | |
| Sheet Thickness | 5/8" | |
| Minimum Cold Bending Radius | 13' | |
| Panel Width | 23.07" | |
| Modular Width | 2' | |
| Standard Length* | 24' | |
| U-Factor Winter Night | 0.405 Btu/ (h•ft ² •°F) | |
| Light Transmission: | Clear; | 70% |
| ASTM D-1003 (%) | Bronze, Ice | 42%, 32% |
| Maximal Thermal Expansion | Clear; | 1/8" per 3' |
| | Bronze, Ice | 1/4" per 4' |
| Recommended Minimum Roof Slope | 6° | |
| Impact Resistance (ASTM D-5628) | 2.19 ft•lb f (5mm tip diameter) | |

* Other lengths upon special order:

The data in this advertisement are provided in good faith and constitute general information without commitment, and no warranty is given or implied. Polycarbonate is a combustible thermoplastic that complies with various international standards, as customary in each country. Avoid exposure to excessive heat or aromatic cleaning solvents. Normal fire precautions should be taken to protect against combustion.

Distributed by:



Toll Free: 1.800.277.7898
www.piedmontplastics.com

Polygal is the leading manufacturer of structured Polycarbonate panels, and is known throughout the world for the outstanding quality of its products. Polygal was the first manufacturer in the world to create structured Polycarbonate panels, and over the last 30 years, has developed and produced a broad spectrum of these products, which are successfully covering a full array of structures worldwide.



Always look for the original sign