

"BASE" Series ILT-BA-1X2 & 1X3

The New Base Series modules have been methodically designed and engineered to surpass performance and longevity of other sign modules in their respective class. The Base series delivers high lumen out-put through a fully integrated 160 degree beam angle lens.

Applications:

- Channel Letters: face and halo.
- Internally Illuminated Sign Cabinets
- Architectural Lighting.
- Cove and Accent Lighting.

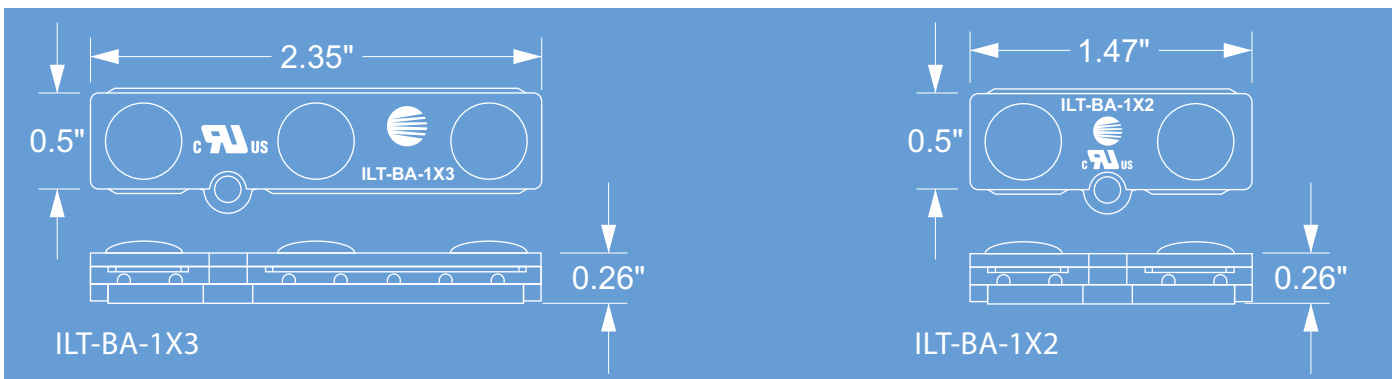
Features:

- 2 or 3 SMD LED's per module.
- 2 modules per ft, 15 ft per strip to minimize cost.
- Fully Molded 160 degree Lens attached to integrated cup design
- 3M VHB double faced tape.
- Mechanical fasteners for a secure installation included.
- Low power draw, able to power 125 white modules (62 ft) of 1X2, and 82 white modules (41 ft) of 1X3, on a 12 volt 60 watt power supply.
- IP 66 rated
- UL Listed in US and Canada

Specifications:

PART #	Description	Operating Voltage	Current (mA)	Wattage	LED's / Module	Module / Foot	Color Peak Wavelength (nm)	Beam Angle	Module Dimensions (LxWxH)	Luminous Flux/ Foot	Modules & Ft / 60 watt power supply
ILT-BA-1X2-W65	Base White SMD LED Module	12V	40	0.48	2	2	White (6500)	160	1.45"x0.5"x0.29"	96	125 mod or 62 ft
ILT-BA-1X3-W65	Base White SMD LED Module	12V	60	0.72	3	2	White (6500)	160	2.35"x0.5"x0.29"	144	82 mod or 41 ft

Mechanicals:



ILT INNOVATIONS

Products • Capabilities • Applications

InternationalLight
TECHNOLOGIES



InternationalLight
TECHNOLOGIES

Distributed by:



Piedmont Plastics

where solutions take shape

Toll Free: 1.800.277.7898

www.piedmontplastics.com